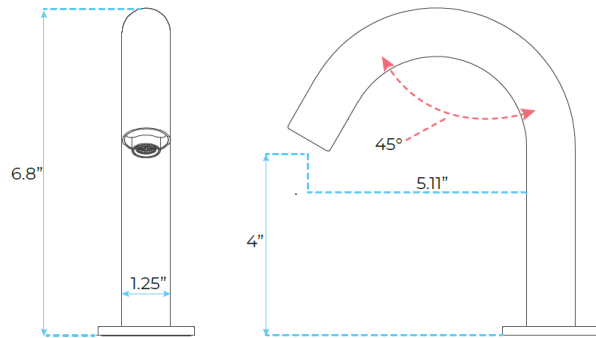
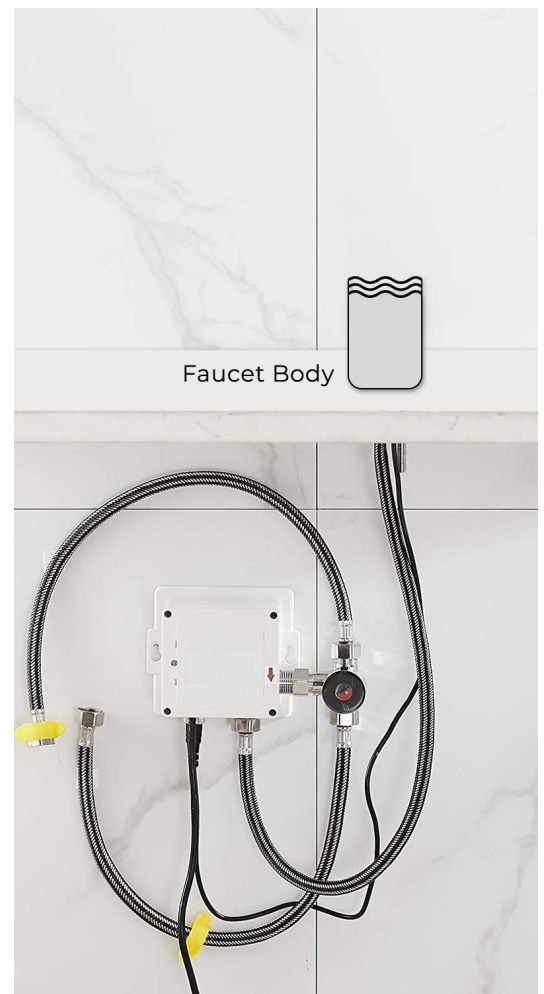


## CARPI BRUSHED GOLD FINISH GOOSE NECK DECK MOUNT AUTOMATIC COMMERCIAL SENSOR FAUCET SPECS



### Specs:

- Installation: Deck mount
- Material: Brass
- Water Flow Rate: 8.2 litres/ min at 3 Bar
- Water Pressure: 0.05-0.8 MPa
- Sensor Activation Distance: 10 cm
- Power: 4 × 6V DC Batteries
- Motor valve lifespan: up to 500000 flushes
- Battery lifespan: 100000 cycles
- Solenoid Valve: Brass
- Filter Screen: Built-in
- Sensor Components: Waterproof
- Suitable Places: Residential /High traffic & public toilet basin
- Usage: Commercial / Residential



[Visit Product Page](#)